

SURESEAL BUTTER FLY VALVE

100% LEAK PROOF

LEVER / GEAR
OPERATED



Technical Data :

CONSTRUCTION	: SLIM SEAL, WAFER TYPE, BUTTERFLY VALVE
DESIGN & MFG. CODE	: BS 5155 / AWWA C 504 / API 609
INSPECTION & TESTING	: API 598
FACE TO FACE	: BS 5155
END CONNECTION	: WAFER TYPE

Materials of Construction :

- Body** : Cast Iron to IS : 210 Gr. FG 260
Elastomer integrallymoulded
- Disc** : CI IS 210 FG 260 Nitrile Encapsulated.
CF8 / CF8M / FG 260 / As per
Client's Specification (on specific order
at extra cost.)
- Shaft** : AISI 410 (Heat treated)
Also available with special
friction less PTFE coating.

Standards :

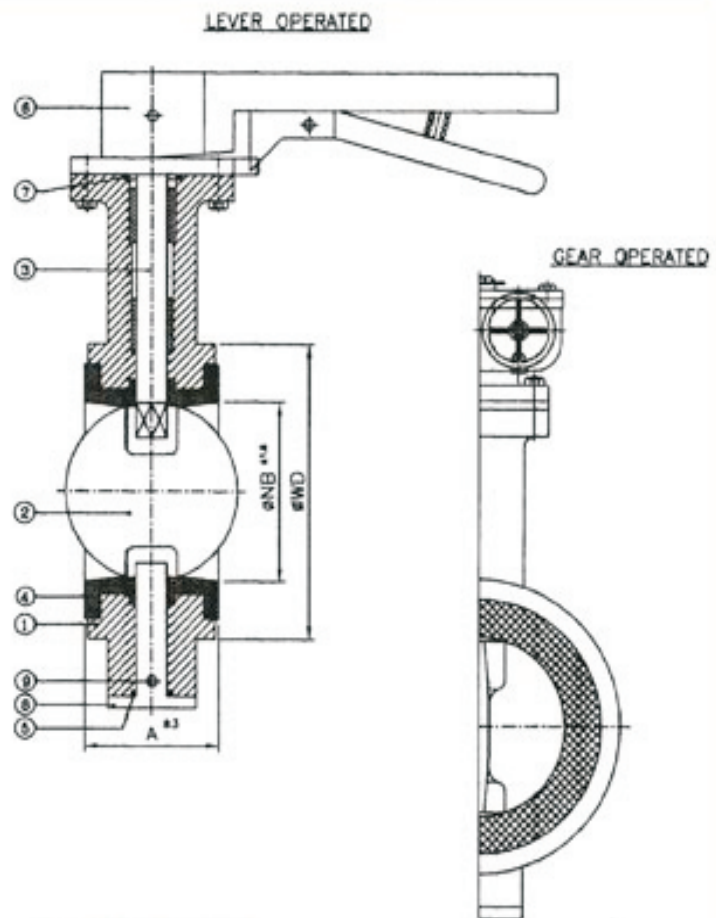
Valves comply with BS 5155, API 609, MSS SP 67 and ISO 5752 Valves designed to fit without gaskets between flanges drilled to ANSI 125, DIN, ND 10/16, BS 10 tables D E and F or BS 4505 PN 10/16, Tables 6, 7 & 8 of IS:6418 and Tables 11, 15 & 17 of IS:6392.

Engineering Options :

1. Gear Operation on request.
2. Pneumatic / Motorised Actuation on request.
3. Extension Spindle, Chain - wheel arrangement on request.

Note : Face to face dimensions given in the Installed condition (i.e. with liner compressed)

- Free length exceeds this dimension by 5 mm max. depending on valve size.
- The minimum Internal pipe diameter should exceed this dimension for correct installation.



BILL OF MATERIAL

Sr.	PART NAME	MATERIALS
1	BODY	C.I. / WCB / CF8 / CF8M
2	DISC	C.I. / WCB / CF8 / CF8M
3	SPINDLE	AISI 410 / AISI 304 / AISI 316
4	BONDING/LINING	NITRILE / EPDM
5	'O' RING	NITRILE / EPDM
6	LEVER	CARBON STEEL
7	'O' RING	NITRILE / EPDM
8	GUIDE SPINDLE	AISI 410 / AISI 304 / AISI 316
9	PIN	AISI 410 / AISI 304 / AISI 316

Size	ϕNB	A	ϕWD
40	34	33	73
50	44	43	92
65	59	46	105
80	74	46	127
100	94	52	157
125	119	56	186
150	144	56	216
200	180	60	270
250	230	68	324
300	280	78	381

"Apex" make

All Dimensions are in mm



APEX ASSOCIATES

GH-84, Scheme No.54, Vijay Nagar, Indore - 452010 (M.P.)
Ph. 0731-4004371, 2557094, 9826647871 Tele Fax. 0731-4004371
E-mail : apexassociates@rediffmail.com