

# NON SLAM CHECK VALVE (NRV) DISC TYPE CHECK VALVE (NRV)

INVESTMENT  
CASTING

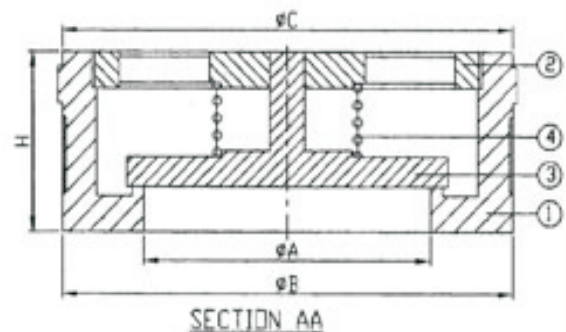
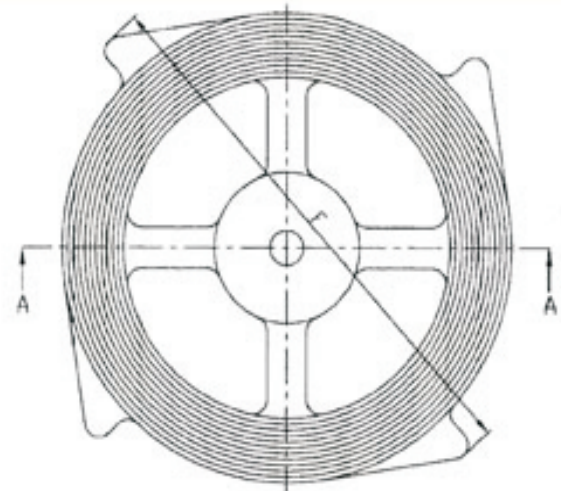


### Technical Data :

**CONSTRUCTION** : Spring loaded, self centering,  
water type, slim seal.

**DESIGN** : Mfg.  
**INSPECTION & TESTING** : API 598  
**RATING** : PN 25 / 40  
**FLANGES STANDARD** : BS, ANSI, DIN, JIS  
**SEATING** : METAL TO METAL, PTFE, EPDM, VITON

| P.No. | NOMENCLATURE | MATERIAL         | QTY. |
|-------|--------------|------------------|------|
| 1     | BODY         | WCB / CF8 / CF8M | 1    |
| 2     | COVER        | WCB / CF8 / CF8M | 1    |
| 3     | DISC         | WCB / CF8 / CF8M | 1    |
| 4     | SPRING       | AISI 302         | 1    |



Sharvil presents more efficient, compact & fine finish Non slam check valves (NSCV) over the conventional valves to prevent revers flow. Its also called disc type check valves. The valves are extremely successful for air, water, oil, gas, steam, chemicals etc. This NSCVs are made only by Investment casting processes, so no mat. lose & compact design is being it cheaper & good finish. Flow rate can get optimum & reverse flow stops positively.

### Features :

- Valves can be fitted in any direction in pipelines.
- Self centering type design.
- NSCVs are easy to fit bet<sup>n</sup> two flanges
- Spring can be change according to required pressure.
- Without spring can be used in vertical direction, when inlet pressure is extremely low. (Back pressure required.)
- Screwed cover makes easy to clean or interchange valves seats & springs periodically.

| Size   | ø A | ø B | ø C | H  | F   |
|--------|-----|-----|-----|----|-----|
| 15 MM  | 14  | 38  | 45  | 17 | 66  |
| 20 MM  | 20  | 47  | 55  | 20 | 70  |
| 25 MM  | 25  | 55  | 63  | 22 | 80  |
| 32 MM  | 32  | 68  | 75  | 28 | 90  |
| 40 MM  | 40  | 79  | 85  | 32 | 100 |
| 50 MM  | 50  | 92  | 95  | 40 | 114 |
| 65 MM  | 63  | 108 | 115 | 46 | 142 |
| 80 MM  | 76  | 127 | 131 | 50 | 152 |
| 100 MM | 100 | 157 | 161 | 60 | 190 |

| HYDRO TEST PRESSURE   |                         |
|-----------------------|-------------------------|
| SHELL                 | SEAT                    |
| 32 Kg/Cm <sup>2</sup> | 22 Kg / Cm <sup>2</sup> |
| AIR TEST              | 7 Kg / Cm <sup>2</sup>  |

Non slam check valves act such as immediately open by the pressure of the media & closed by the spring tension when flow stops.

"Apex" make

\* All dimensions are in m.m.



# APEX ASSOCIATES

GH-84, Scheme No.54, Vijay Nagar, Indore - 452010 (M.P.)  
Ph. 0731-4004371, 2557094, 9826647871 Tele Fax. 0731-4004371  
E-mail : apexassociates@rediffmail.com