

WAFER TYPE CHECK VALVE (NRV)

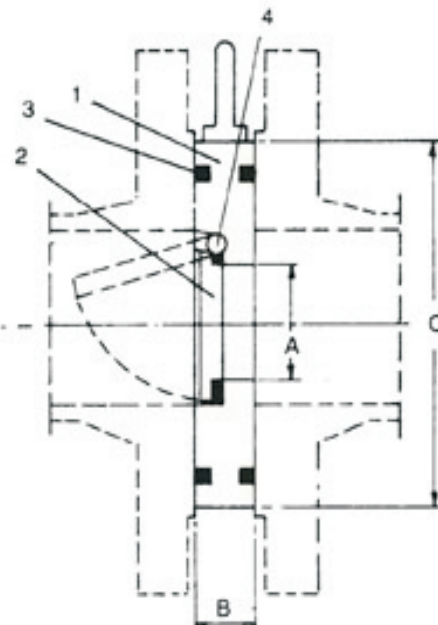
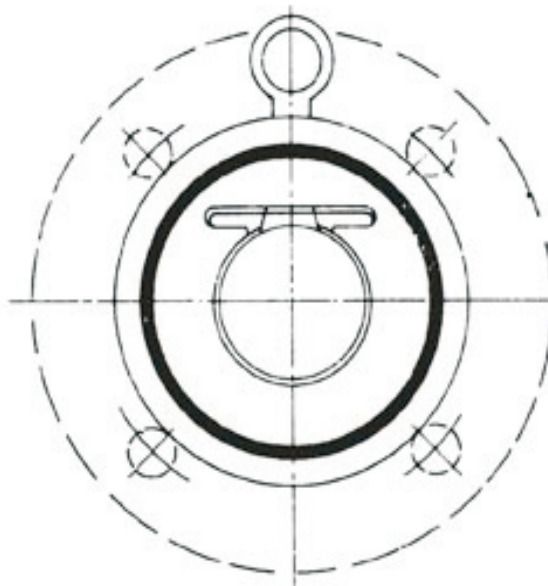
With Spring
Without Spring



Technical Data :

Manufacturing Std. : BS 1868 / API 6D
 Testing Std. : BS 6755 / API 598
 Pressure Class : DIN - ND 10, ND 16 & ND 40
 ASA - 150, 300

BILL OF MATERIAL			
Sr.	Item	Qty.	Material
1	Body	1	Cast Iron (IS 210 FG 200)
			Cast Steel (ASTM A 216 GR WCB)
			Stainless Steel (ASTM A 351 CF8/CF 8M)
2	DISC	1	Cast Iron (IS 210 FG 200)
			Cast Steel (ASTM 216 GR WCB)
			Stainless Steel (ASTM A 351 CF 8/CF 8M)
			AISI 304 & 316
3	O' Ring	2	Nitrile, EPDM, Viton, Silicon, PTFE
4	Hinge Pin	1	AISI 304/316



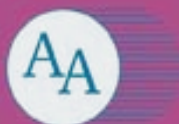
NB	25	40	50	65	80	100	125	150	200	250	300	350	400	450	500
A	12	20	27	40	50	70	92	105	147	192	215	258	310	360	405
B	15	15	15	15	15	16	19	20	22	25	25	28	30	35	35
C	62	76	96	112	127	158	185	212	262	308	365	400	506	541	600

SERVICE RATING & TEST PRESSURE			
Class	Working Temp.	Hyd. Test Pressure Body	Pressure Seat
150 PSIG	20°C to 180°C	225 PSIG	150 PSIG

"Apex" Check valve combine a short face to face dimensions end the low weight guarantee a simple & space saving installation between the flanges.

"Apex" make

* All dimensions are in m.m.



APEX ASSOCIATES

GH-84, Scheme No.54, Vijay Nagar, Indore - 452010 (M.P.)
 Ph. 0731-4004371, 2557094, 9826647871 Tele Fax. 0731-4004371
 E-mail : apexassociates@rediffmail.com