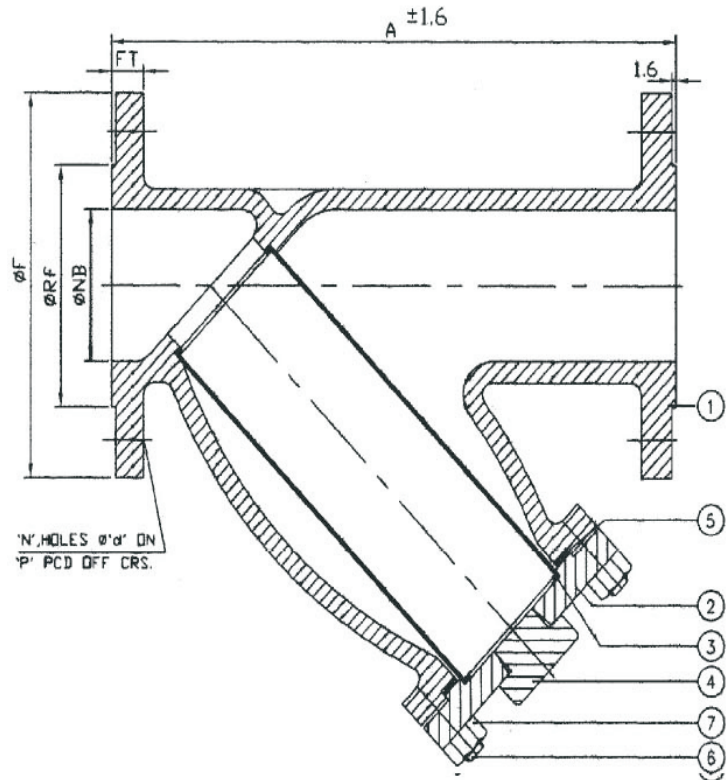


# STRAINER 'Y' TYPE FLANGE END

DIN STD : ND- 40



**Technical Data :**

**CONSTRUCTION :** BOLTED COVER WITH DRAIN PLUG TYPE,  
'Y' TYPE STRAINER.

**DESIGN & MFG. CODE :** MFG. STD

**INSPECTION & TESTING :** API 598

**FACE TO FACE :** DIN - ND 40

**END CONNECTION :** ASME B 16.5 RF / DIN

**BILL OF MATERIAL**

Sr.	PART NAME	MATERIALS
1	BODY	C.I. / WCB / CF8 / CF8M
2	COVER	C.I. / WCB / CF8 / CF8M
3	SCREEN	S.S 304 / S.S 316
4	PLUG	C.S. / S.S. 304 / S.S 316
5	GASKET	GRAPHITE ASBESTOS
6	STUD	ASTM A193 Gr. B7
7	NUT	ASTM A194 Gr. 2H

**CLASS 300**

Size	ØNB	A	ØF	FT	ØRf	'P'	Ø'd'	'N'
25	25	160	124	17.5	51	88.9	19	4
40	38	200	155.5	20.3	73	114.3	22.2	4
50	50	230	165.1	22.2	92	127	19	8
65	63	290	190.5	25.4	105	149.4	22.2	8
80	75	310	209.5	28.6	127	168.1	22.2	8
100	100	350	254	31.8	157	200.1	22.2	8
150	150	480	317.5	36.6	216	269.8	22.2	12
200	200	600	381	41.2	270	330.2	25.4	12
250	250	730	444.5	47.8	324	387.4	28.6	16
300	300	850	520.7	50.8	381	450.9	31.8	16

**CLASS 150**

Size	ØNB	A	ØF	FT	ØRf	'P'	Ø'd'	'N'
25	25	160	108	11.2	51	79.2	16	4
40	38	200	127	14.3	73	98.5	16	4
50	50	230	152.4	15.9	92	120.6	19	4
65	63	290	178	17.5	105	139.7	19	4
80	76	310	190.5	19.1	127	152.4	19	4
100	100	350	228.6	23.9	157	190.5	19	8
125	125	400	254	23.9	186	215.9	22.2	8
150	150	480	279.4	25.4	216	241.3	22.2	8
200	200	600	343	28.6	270	298.5	22.2	8
250	250	730	406.4	30.2	324	362.0	25.4	12
300	300	850	482.6	31.8	381	431.8	25.4	12
350	337	914	533.4	35.0	413	476.3	28.6	12

**AVAILABLE OPTION :**

\* Screen Size : 40 to 200 mesh

\* Special Mat. On request

\* Screwed end, Socket weld end All Dimensions are in

**Service Rating**

40 kg/cm <sup>2</sup>	450°C
Hydraulic Test Pressure	
Body	80 Kg/cm <sup>2</sup>

"Apex" make



# APEX ASSOCIATES

GH-84, Scheme No.54, Vijay Nagar, Indore - 452010 (M.P.)  
Ph. 0731-4004371, 2557094, 9826647871 Tele Fax. 0731-4004371  
E-mail : apexassociates@rediffmail.com